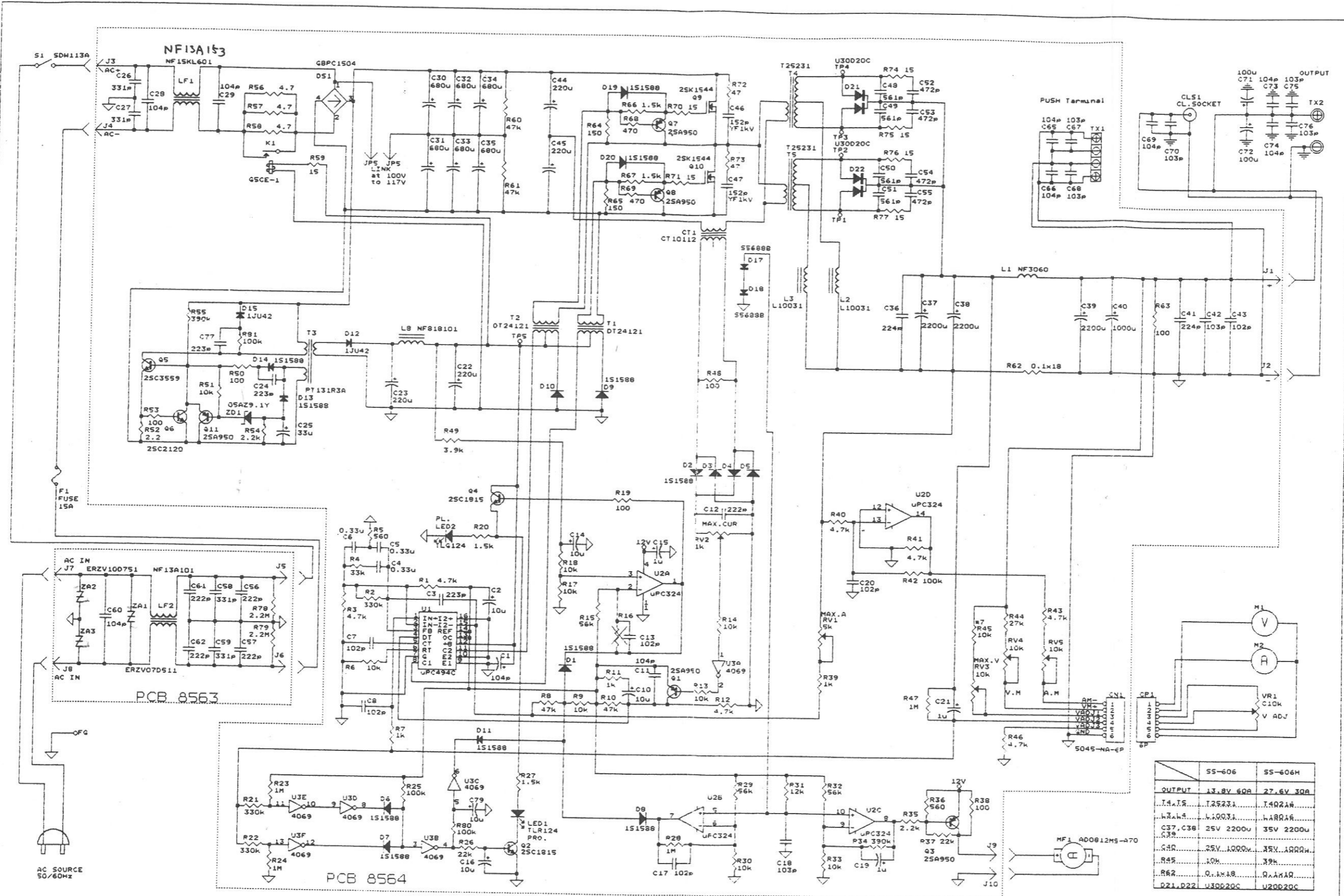


SS-606



SS-606/606H

	SS-606	SS-606H
OUTPUT	13.8V 60A	27.6V 30A
T1, T2	T25231	T4922A
L1, L2, L3	L10031	L1801A
C37, C38	25V 2200u	35V 2200u
C39	25V 1000u	35V 1000u
R45	10k	39k
R62	0.1x18	0.1x18
D21, D22	U30D20C	U20D20C